

XR-C7220/C7300/C7300W

SERVICE MANUAL

US Model
Canadian Model

XR-C7220

E Model

XR-C7300/C7300W



For RM-X4S (Remote Commander), please refer to RM-X4S Service Manual (9-925-698-III) previously issued.

Photo: XR-C7300

Dolby noise reduction manufactured under license from Dolby Laboratories Licensing Corporation. "DOLBY" and the double-D symbol $\square\square$ are trademarks of Dolby Laboratories Licensing Corporation.

Model Name Using Similar Mechanism	XR-C5100
Tape Transport Mechanism Type	MG-25G-136

SPECIFICATIONS

AUDIO POWER SPECIFICATIONS (US model)

POWER OUTPUT AND TOTAL HARMONIC DISTORTION

17 watts per channel minimum continuous average power into 4 ohms, 4 channels driven from 20 Hz to 20 kHz with no more than 1 % total harmonic distortion.

Cassette player section

Tape track	4-track 2-channel stereo
Wow and flutter	0.08 % (WRMS)
Frequency response	30 - 18,000 Hz
Signal-to-noise ratio	

Cassette type	Dolby B NR	Dolby NR off
TYPE II, IV	67 dB	61 dB
TYPE I	64 dB	58 dB

Tuner section

FM

Tuning range	
XR-C7220:	87.5 - 107.9 MHz
XR-C7300/C7300W:	FM tuning interval: 50 kHz/200 kHz switchable 87.5 - 108.0 MHz (at 50 kHz step) 87.5 - 107.9 MHz (at 200 kHz step)
Aerial terminal	External aerial connector
Intermediate frequency	10.7 MHz
Usable sensitivity	9 dBf
Selectivity	75 dB at 400 kHz
Signal-to-noise ratio	65 dB (stereo), 68 dB (mono)
Harmonic distortion at 1 kHz	0.7 % (stereo), 0.4 % (mono)
Separation	35 dB at 1 kHz
Frequency response	30 - 15,000 Hz

AM (XR-C7220)

Tuning range 530 - 1,710 kHz

MW (XR-C7300/C7300W)

Tuning range MW tuning interval:
9 kHz/10 kHz switchable
531 - 1,602 kHz (at 9 kHz step)
530 - 1,710 kHz (at 10 kHz step)

SW (XR-C7300/C7300W)

Tuning range SW tuning interval:
SW1: 2,940 - 7,735 kHz
SW2: 9,500 - 18,135 kHz (except ofr 10,140 - 11,575 kHz)

Aerial terminal External aerial connector
Intermediate frequency 10.7 MHz/450 kHz
Sensitivity 30 μ V

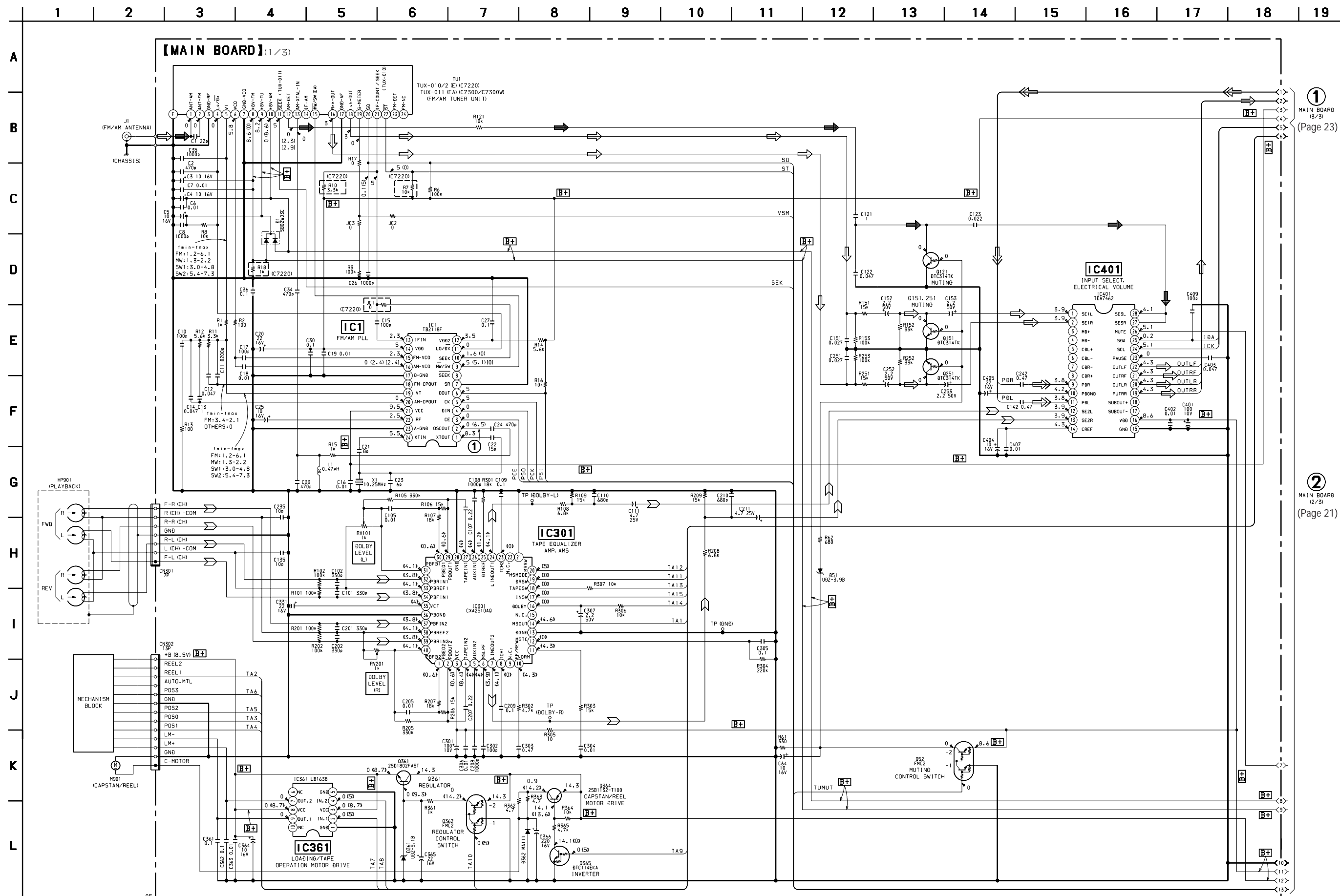
- Continued on next page -

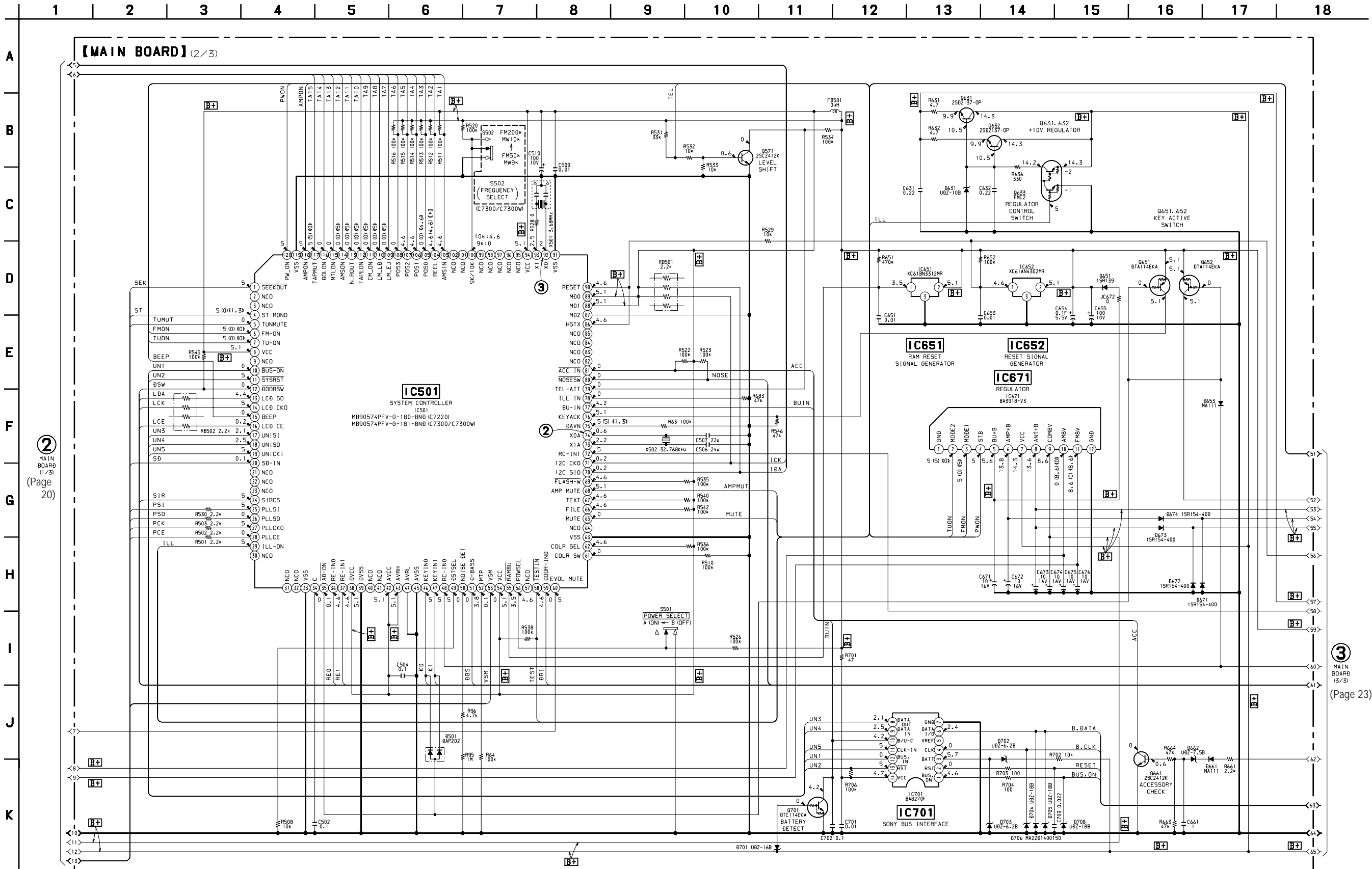
FM/AM (MW/SW)
CASSETTE CAR STEREO



SONY®

6-2. SCHEMATIC DIAGRAM – MAIN Section (1/3) – • See page 18 for Waveforms. • See page 33 for IC Block Diagrams.

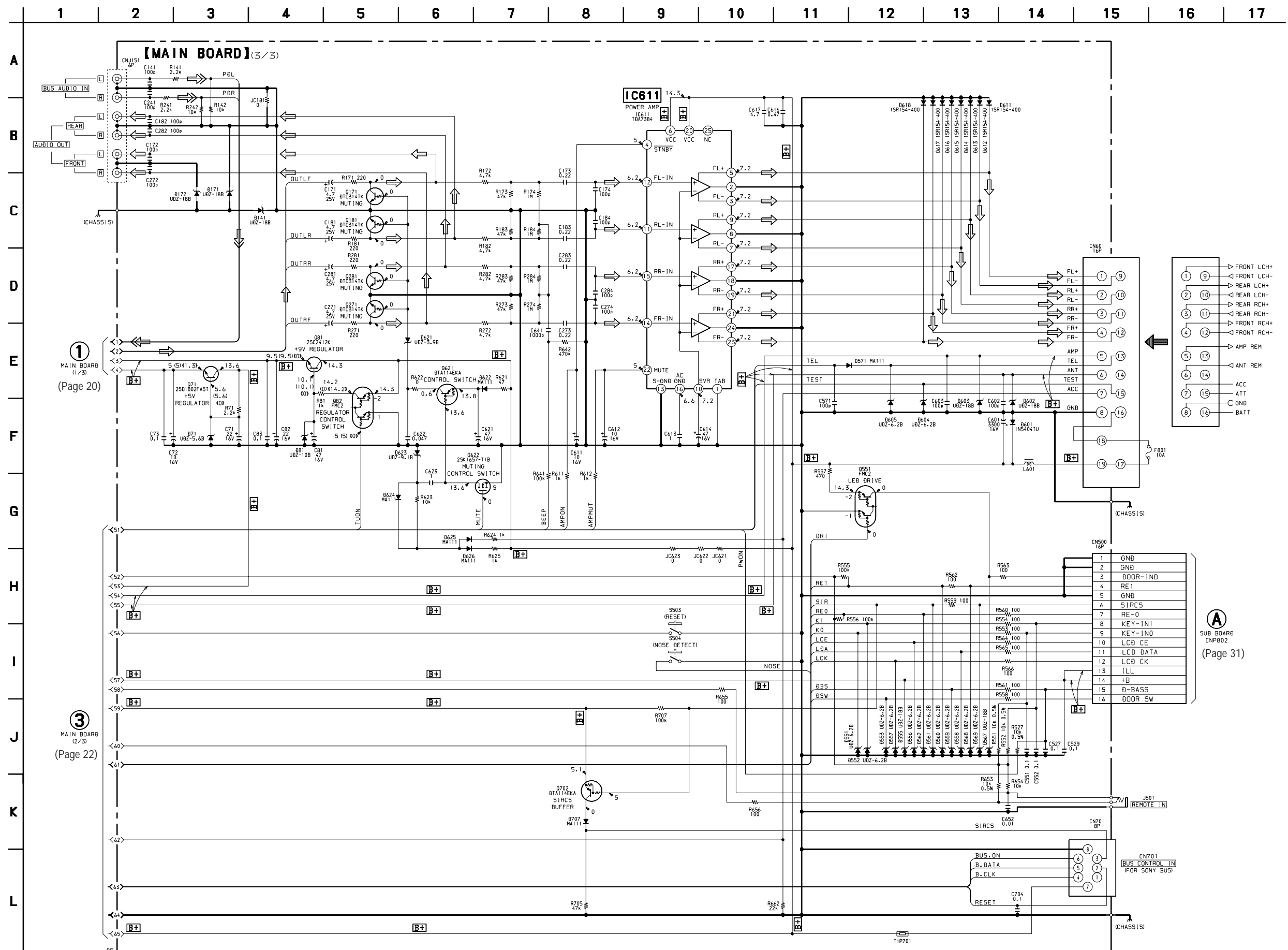




2 MAIN BOARD (1/3) (Page 20)

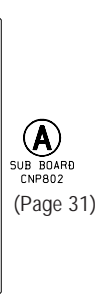
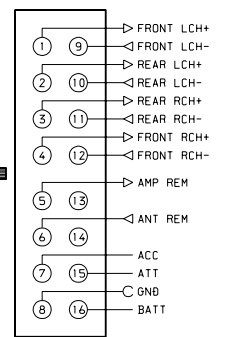
3 MAIN BOARD (3/3) (Page 23)

6-4. SCHEMATIC DIAGRAM – MAIN Section (3/3) –



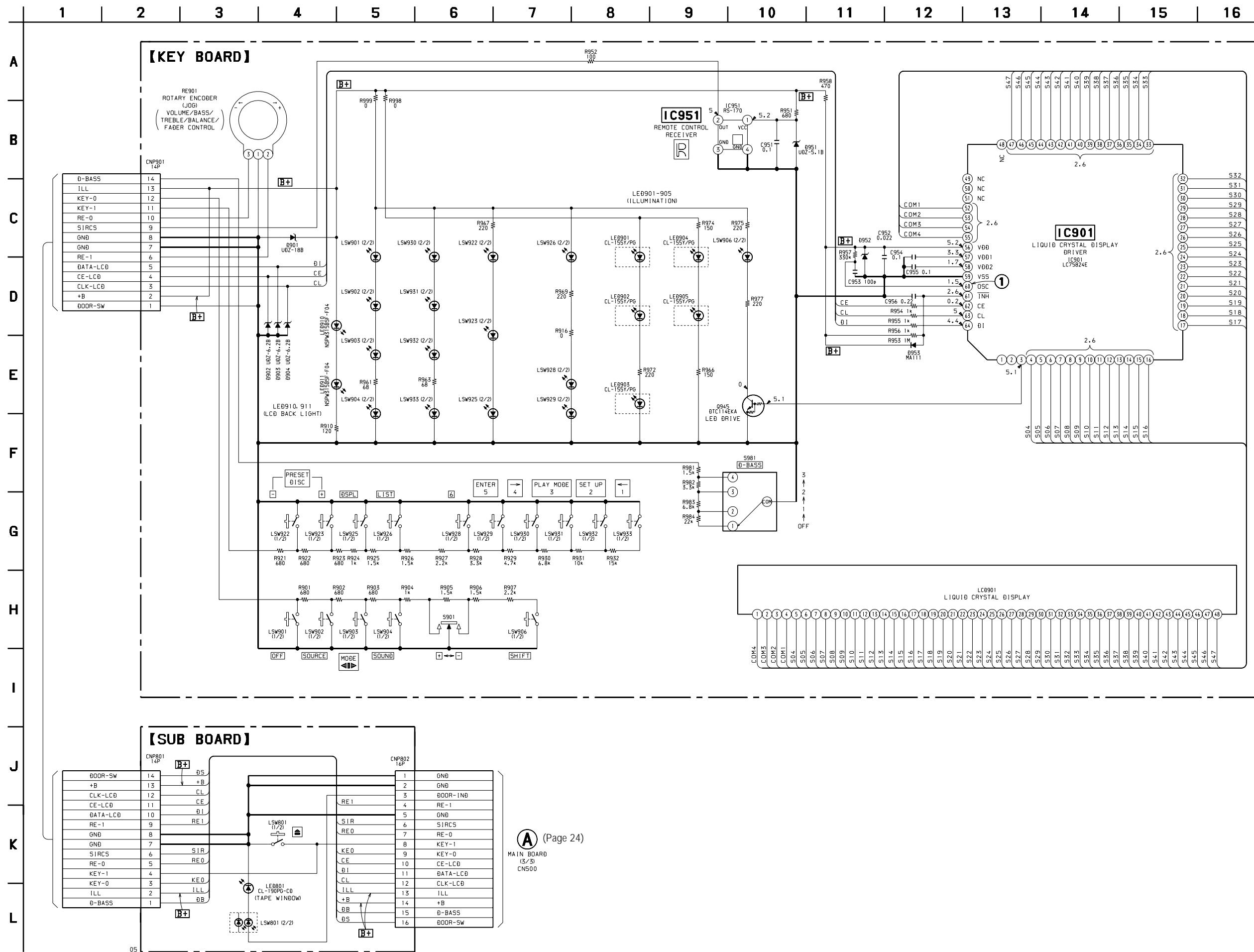
①
MAIN BOARD
(1/3)
(Page 20)

③
MAIN BOARD
(2/3)
(Page 22)



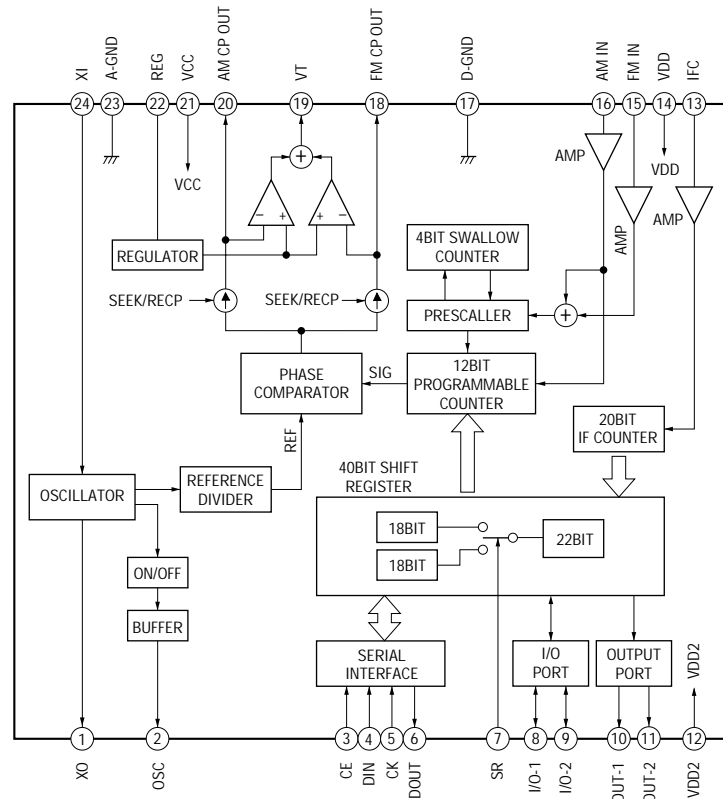
Ⓐ
SUB BOARD
CNP802
(Page 31)

6-8. SCHEMATIC DIAGRAM – PANEL Section – • See page 18 for Waveform.

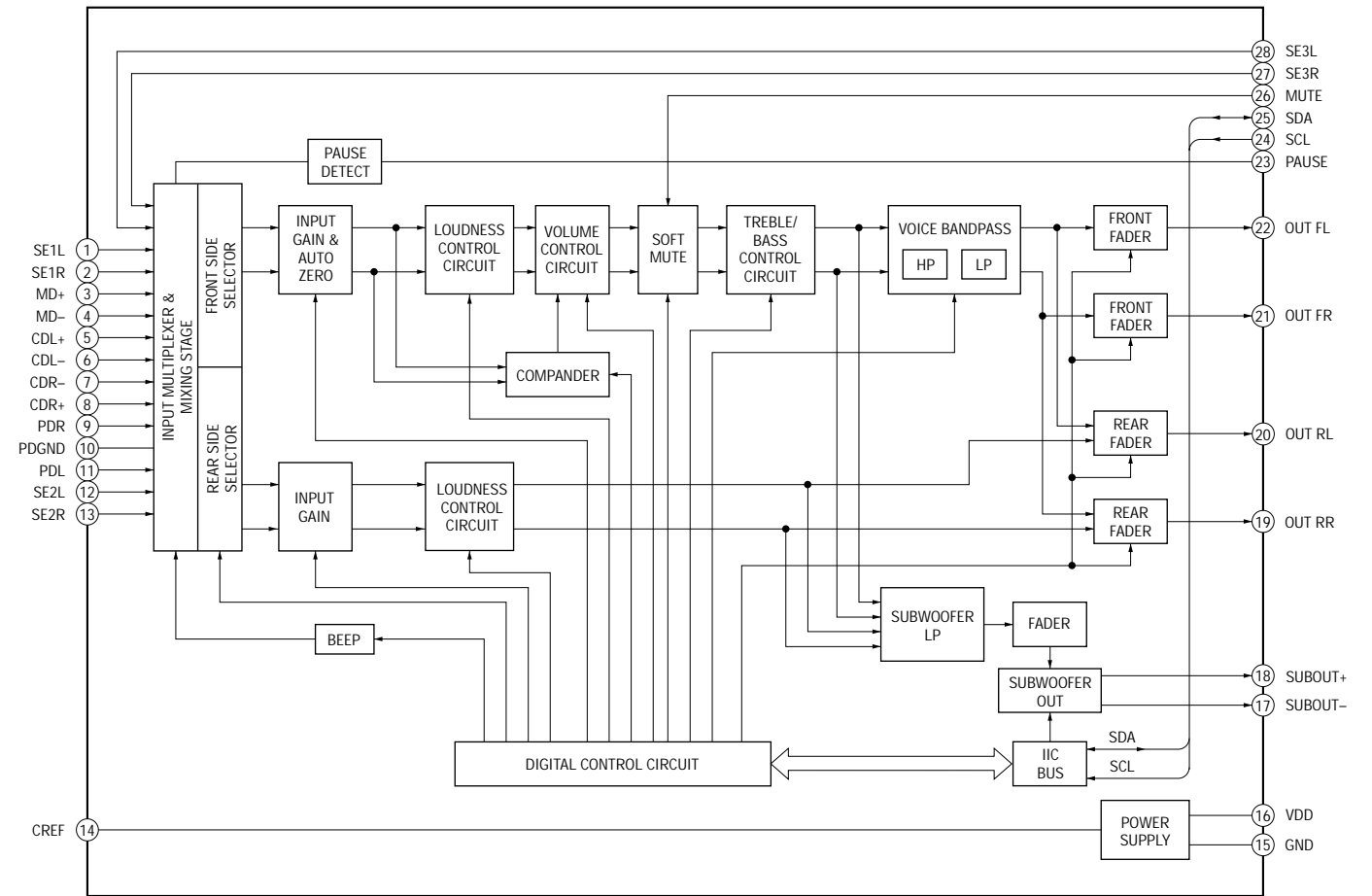


• IC Block Diagrams
- MAIN Board -

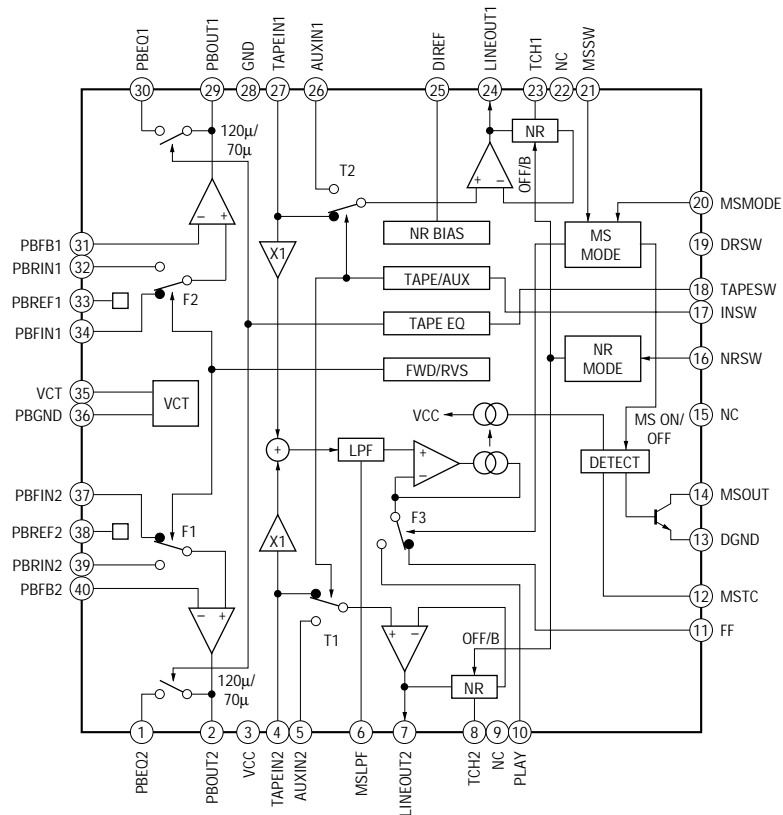
IC1 TB2118F (EL)



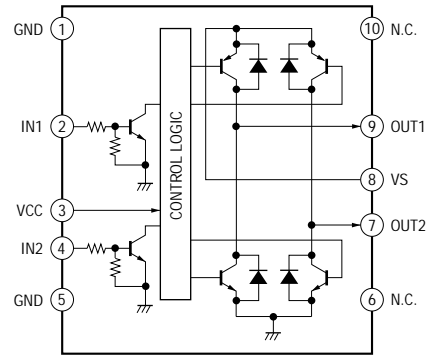
IC401 TDA7462D



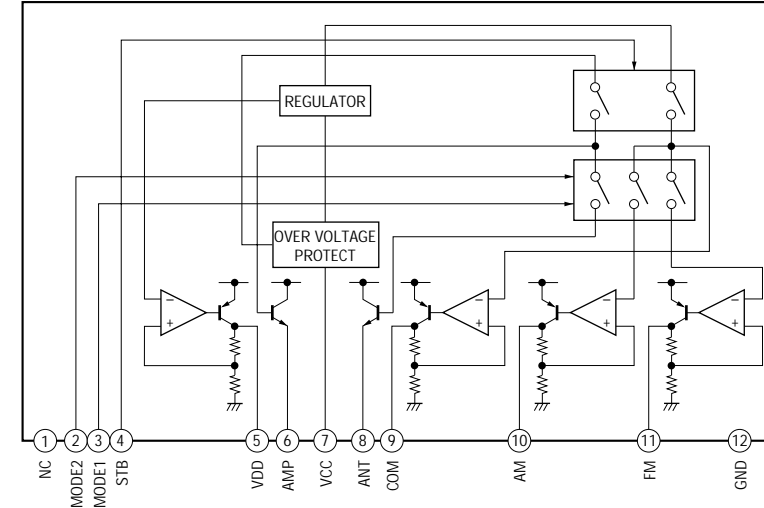
IC301 CXA2510AQ-T4



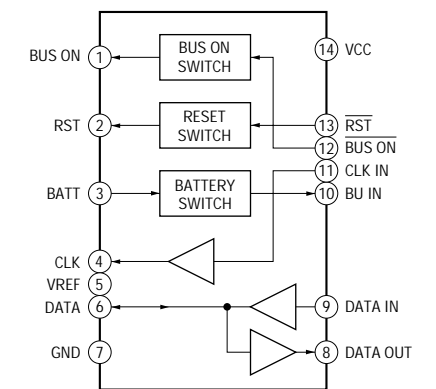
IC361 LB1638M



IC671 BA3918-V3



IC701 BA8270F-E2



6-9. IC PIN FUNCTION DESCRIPTION

• MAIN BOARD IC501 (SYSTEM CONTROLLER)

MB90574PFV-G-180-BND (XR-C7220) MB90574PFV-G-181-BND (XR-C7300/C7300W)

Pin No.	Pin Name	I/O	Function
1	<u>SEEKOUT</u>	O	Seek control signal output to the FM/AM tuner unit (TU1) AM mode: Used for IF count output/SD output request/AGC cut at SEEK or BTM FM mode: Used for SD speed up at SEEK, BTM, or AF “L” is output at tuner off
2, 3	NCO	O	Not used (open)
4	ST-MONO	I/O	FM stereo broadcasting detection signal input from the FM/AM tuner unit (TU1), or forced monaural control signal output to the FM/AM tuner unit (TU1) “L” is input in the FM stereo mode, or “L” is output in the forced monaural mode
5	TUNMUTE	O	Muting on/off control signal output of the FM and AM tuner signal “H”: muting on
6	FM-ON	O	FM system power supply on/off control signal output to the BA3918 (IC671) “L”: AM power on, “H”: FM power on
7	TU-ON	O	Tuner system power supply on/off control signal output to the BA3918 (IC671) “H”: tuner power on
8	VCC	—	Power supply terminal (+5V)
9	NCO	O	Not used (open)
10	<u>BUS-ON</u>	O	Bus on/off control signal output to the SONY bus interface (IC701) “L”: bus on
11	<u>SYSRST</u>	O	Reset signal output to the SONY bus interface (IC701) “L”: reset
12	<u>DOORSW</u>	I	Front panel open/close detection signal input “L” is input when the front panel is closed
13	LCD SO	O	Serial data output to the liquid crystal display driver (IC901)
14	LCD CKO	O	Serial data transfer clock signal output to the liquid crystal display driver (IC901)
15	BEEP	O	Beep sound drive signal output terminal
16	LCD CE	O	Chip enable signal output to the liquid crystal display driver (IC901) “H” active
17	UNISI	I	Serial data input from the SONY bus interface (IC701)
18	UNISO	O	Serial data output to the SONY bus interface (IC701)
19	UNICKO	O	Serial data transfer clock signal output to the SONY bus interface (IC701)
20	SD-IN	I	Station detector detect input from the FM/AM tuner unit (TU1) Stop level for SEEK, BTM, etc. is determined SD is present at input of “H”
21 to 23	NCO	O	Not used (open)
24	SIRCS	I	Sircs remote control signal input from the remote control receiver (IC951)
25	PLLSI	I	PLL serial data input from the FM/AM PLL (IC1)
26	PLLSO	O	PLL serial data output to the FM/AM PLL (IC1)
27	PLLCKO	O	PLL serial data transfer clock signal output to the FM/AM PLL (IC1)
28	PLLCE	O	PLL chip enable signal output to the FM/AM PLL (IC1) “H” active
29	ILL-ON	O	Power on/off control signal output of the illumination LED and liquid crystal display driver (IC901) “H”: power on Depends on initial setting of power select switch (S501) Power select switch (S501) on: “H” output at the accessory on Power select switch (S501) off: “H” output at the power on
30 to 32	NCO	O	Not used (open)
33	VSS	—	Ground terminal
34	C	—	Connected to coupling capacitor for the power supply
35	<u>AD-ON</u>	O	A/D converter power control signal output terminal When the KEYACK (pin ⑥) that controls reference voltage power for key A/D conversion input is active, “L” is output from this terminal to enable the input
36	RE-IN0	I	Dial pulse input of the rotary encoder (RE900) (for VOLUME/BASS/TREBLE/BALANCE/FADER control)
37	RE-IN1	I	
38	DVCC	—	Power supply terminal (+5V) (for D/A converter)
39	DVSS	—	Ground terminal (for D/A converter)

Pin No.	Pin Name	I/O	Function
40, 41	NCO	O	Not used (open)
42	AVCC	—	Power supply terminal (+5V) (for A/D converter)
43	AVRH	I	Reference voltage (+5V) input terminal (for A/D converter)
44	AVRL	I	Reference voltage (0V) input terminal (for A/D converter)
45	AVSS	—	Ground terminal (for A/D converter)
46	KEYIN0	I	Key input terminal (A/D input) (LSW901 to LSW904, S901, LSW906) OFF, SOURCE, MODE ◀▶, SOUND, SEEK/AMS ◀◀ ◀◀ – ▶▶ ▶▶ +, SHIFT keys input
47	KEYIN1	I	Key input terminal (A/D input) (LSW801, LSW922, LSW923, LSW925, LSW926, LSW928 to LSW933) ▲, PRESET DISC -/+, DSPL, 6, 5 ENTER, 4 →, 3 PLAY MODE, 2 SET UP, 1 ← keys input
48	RC-IN0	I	Rotary remote commander key input terminal (A/D input)
49	DSTSEL	I	Destination setting terminal (fixed at “L”)
50	NOISE DET	I	Noise level detection signal input at SEEK mode (A/D input) Not used (open)
51	D-BASS	I	D-BASS switch (S981) input terminal (A/D input)
52	MTP	I	Multi-path detection signal input from the RDS decoder Not used (fixed at “L”)
53	VSM	I	FM and AM signal meter voltage detection input from the FM/AM tuner unit (TU1) (A/D input)
54	VCC	—	Power supply terminal (+5V)
55	<u>RAMBU</u>	I	Internal RAM reset detection signal input from the XC61BN3312MR (IC651) Input terminal to check that RAM data are not destroyed due to low voltage This checking is made within 100 msec after reset
56	POWSEL	I	Power select switch (S501) input terminal “L”: off (halt mode), “H”: on (operation mode)
57	NCO	O	Not used (open)
58	<u>TESTIN</u>	I	Setting terminal for the test mode “L”: test mode, Normally: fixed at “H”
59	DOOR-IND	O	LED drive signal output of the tape window illumination and ▲ indicators (LED801, LSW801) “H”: LED on “H” is output to turn on LED when front panel is opened
60	EVOL MUTE	O	Muting control signal output to the electrical volume (IC401) Volume minimum: “∞” output (“H” active)
61	COLR SW	I	Setting terminal for the illumination color “L”: 2 colors, “H”: 1 color (fixed at “L” in this set)
62	COLR SEL	I	Setting terminal for the illumination color “L”: amber, “H”: green (fixed at “H” in this set)
63	VSS	—	Ground terminal
64	NCO	O	Not used (open)
65	MUTE	O	Audio line muting on/off control signal output terminal “H”: muting on
66	FILE	I	Input terminal to set whether custom file function is provided or not “L”: none, “H”: provided (Fixed at “H” in this set)
67	TEXT	I	Input terminal to set whether CD text function is provided or not “L”: none, “H”: provided (Fixed at “H” in this set)
68	AMP MUTE	O	Muting on/off control signal output to the power amplifier (IC611) “L”: muting on
69	<u>FLASH-W</u>	I	Internal flash memory data write mode detection signal input terminal “L”: data write mode Not used (fixed at “H” in this set)
70	I2C SIO	I/O	Two-way data bus with the electrical volume (IC401)
71	I2C CKO	O	Bus clock signal output to the electrical volume (IC401)
72	RC-IN1	I	Rotary remote commander shift key input terminal “L”: shift
73	X1A	O	Sub system clock output terminal (32.768 kHz)
74	X0A	I	Sub system clock input terminal (32.768 kHz)
75	DAVN	I	Data transmit completed detect signal input from the RDS decoder “H” active Not used (fixed at “L”)

Pin No.	Pin Name	I/O	Function
76	KEYACK	I	Input of acknowledge signal for the key entry Acknowledge signal is input to accept function and eject keys in the power off status On at input of "H"
77	BU-IN	I	Battery detect signal input from the SONY bus interface (IC701) and battery detect circuit "L" is input at low voltage
78	$\overline{\text{ILL IN}}$	I	Auto dimmer control illumination line detection signal input terminal "L" is input at dimmer detection Fixed at "L" in this set
79	TEL-ATT	I	Telephone muting signal input terminal At input of "H", the signal is attenuated by -20 dB
80	$\overline{\text{NOSES}}$	I	Front panel block remove/attach detection switch (S504) input terminal "L": front panel is attached
81	$\overline{\text{ACC IN}}$	I	Accessory detect signal input terminal "L": accessory on
82 to 85	NCO	O	Not used (open)
86	HSTX	I	Hardware standby input terminal "L": hardware standby mode Reset signal input in this set
87	MD2	I	Setting terminal for the CPU operational mode (fixed at "L" in this set)
88	MD1	I	Setting terminal for the CPU operational mode (fixed at "H" in this set)
89	MD0	I	Setting terminal for the CPU operational mode (fixed at "H" in this set)
90	$\overline{\text{RESET}}$	I	System reset signal input from the reset signal generator (IC652) and reset switch (S503) "L": reset "L" is input for several 100 msec after power on, then it changes to "H"
91	VSS	—	Ground terminal
92	X0	I	Main system clock input terminal (3.68 MHz)
93	X1	O	Main system clock output terminal (3.68 MHz)
94	VCC	—	Power supply terminal (+5V)
95 to 99	NCO	O	Not used (open)
100	9K/10K	I	Frequency select switch (S502) input terminal "L": AM 9 kHz/FM 50 kHz step, "H": AM 10 kHz/FM 200 kHz step Used for the XR-C7300/C7300W only
101	NCO	O	Not used (open)
102	NCO	I	Not used (open)
103	AMSIN	I	Whether a music is present or not from CXA2510AQ (IC301) is detected at auto music sensor "L": music is present, "H": music is not present
104	REEL	I	Rotation detect signal input from supply reel sensor and take-up reel sensor on the deck mechanism
105	POS0	I	Tape position (EJECT/FF/REW/REV/FWD mode) detect input from the tape operation switch on the deck mechanism POS0: "L": EJECT mode, "H": others mode POS1: "L": FF and FWD mode, "H": others mode POS2: "L": REW mode, "H": others mode POS3: "L": REV and EJECT mode, "H": others mode
106	POS1	I	
107	POS2	I	
108	POS3	I	
109	LM-EJ	O	Motor drive signal output to the loading/tape operation motor drive (IC361) "H" active (For the eject direction and reverse side operation) *1
110	LM-LOD	O	Motor drive signal output to the loading/tape operation motor drive (IC361) "H" active (For the loading direction and forward side operation) *1
111	CM-ON	O	Capstan/reel motor (M901) drive signal output terminal "H": motor on
112	TAPEON	O	Tape system power supply on/off control signal output terminal "H": tape on
113	N-ROUT	O	Forward/reverse direction control signal output to the CXA2510AQ (IC301) "L": forward direction, "H": reverse direction
114	AMSON	O	Tape auto music sensor control signal output to the CXA2510AQ (IC301) "L" is output to lower the gain for audio level at FF/REW mode
115	MTLON	I/O	METAL control in/out terminal At initial mode: auto/manual mode selection input of METAL function (manual at "L" input) At manual mode: METAL on/off control signal output to the CXA2510AQ (IC301) (METAL on at "H" output) At auto mode: input at MTLIN (pin ⑩)

Pin No.	Pin Name	I/O	Function
116	DOLON	I/O	Dolby control in/out terminal At initial mode: valid/invalid selection input of dolby function (valid at "L" input) At normal mode: dolby on/off control signal output to the CXA2510AQ (IC301) (dolby on at "H" output)
117	TAPE MUTE	O	Tape muting on/off control signal output to the CXA2510AQ (IC301) "H": muting on Active at ATA, FF/REW mode
118	AMP ON	O	Standby on/off control signal output to the power amplifier (IC611) "L": standby mode, "H": amp on
119	VSS	—	Ground terminal
120	POWON	O	Main system power supply on/off control signal output to the BA3918 (IC671) "H": power on

*1 Loading/tape operation motor control

Terminal \ Mode	STOP	LOADING/ FORWARD	EJECT/ REVERSE	BRAKE
LM-LOD (pin ⑩)	"L"	"H"	"L"	"H"
LM-EJ (pin ⑪)	"L"	"L"	"H"	"H"